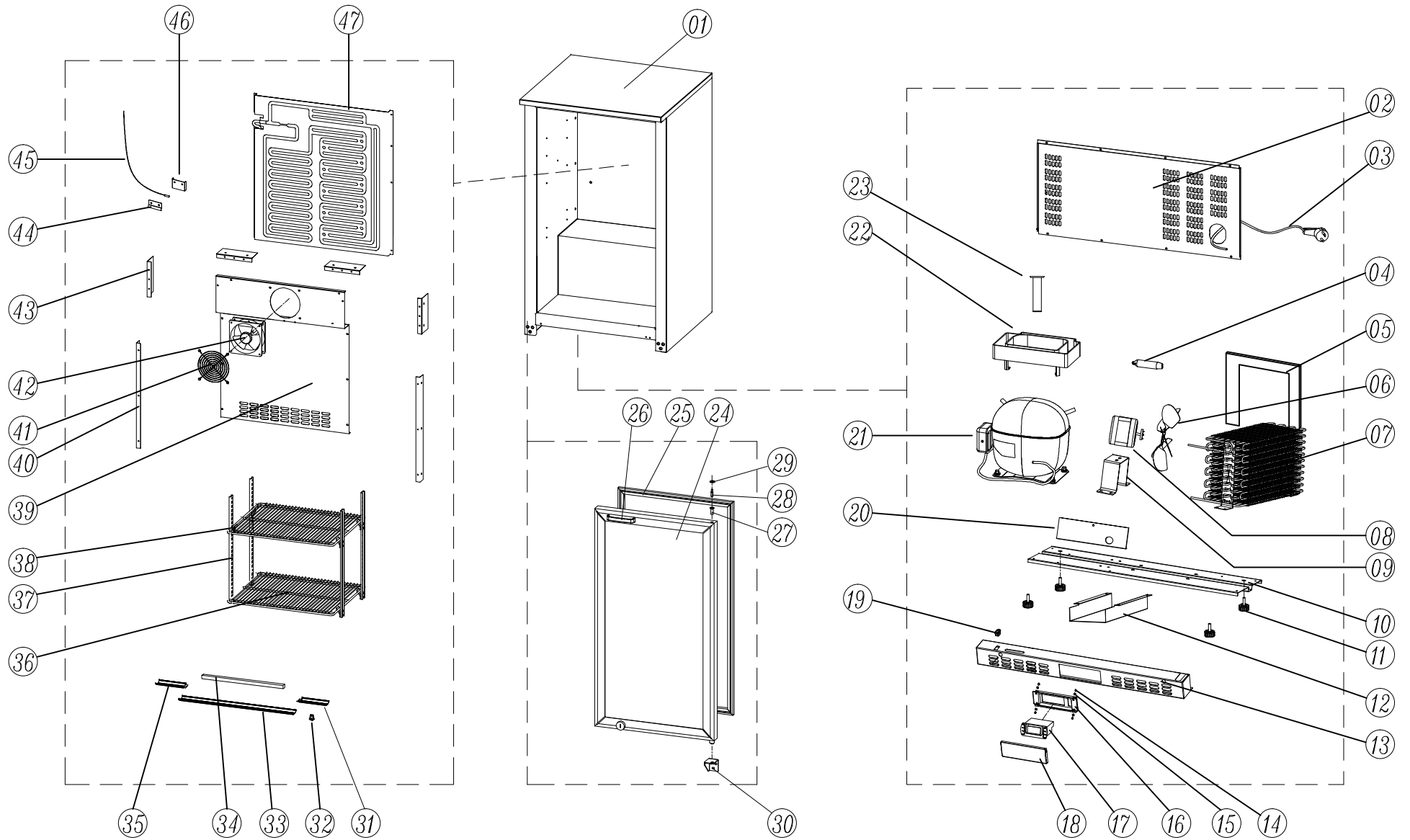


EXPLODED VIEW OF BBS130L



N°	TYPE L2G	TYPE	NEW CODE	NAME	EN NAME	MODEL	MATERIAL	REMARK	QTY.	REF NAVISION
1	BBS130	BBS-130L	SKC-0-000-1151-0	箱体	BODY	600*500*880			1PCS	BBS130L.01
2	BBS130	BBS-130L	SKC-2-001-0374-0	机舱网罩	back grill		Galvanized sheet		1PCS	BBS130L.02
3	BBS130	BBS-130L	SKC-4-010-0038-0	电源线	PLUG	Φ1.5*3000*3	PLASTIC		1PCS	BBT350L.05
4	BBS130	BBS-130L	SKC-2-103-0002-0	干燥过滤器	FILTER DRIER	Φ19*100		9g	1PCS	BBT350L.06
5	BBS130	BBS-130L	SKC-0-000-0057-0	挡风板组合	air flow conduct B	268.5*186*15	Galvanized sheet		1PCS	BBT350L.07
6	BBS130	BBS-130L	SKC-2-105-0003-0	冷凝风机风叶	FAN BLADE	Φ172	aluminum		1PCS	BBT350L.08
7	BBS130	BBS-130L	SKC-2-102-0002-0	冷凝器	CONDENSOR				1PCS	BBS130L.07
8	BBS130	BBS-130L	SKC-4-001-0009-0	冷凝风机	CONDENSOR FAN	ZCF170			1PCS	BBT350L.10
9	BBS130	BBS-130L	SKC-2-006-0363-0	冷凝风机支架	UNIT BOARD SUPPORT	118*50*40	Galvanized sheet		1PCS	BBT350L.11
10	BBS130	BBS-130L	SKC-2-006-0092-0	机组板	UNIT BOARD	580*200*15	Galvanized sheet		1PCS	#N/A
11	BBS130	BBS-130L	SKC-2-140-0010-0	调节脚	ADJUSTABLE FEET	M8*15			4PCS	BBT350L.13
12	BBS130	BBS-130L	SKC-2-006-0071-0	护线盒	control protector	275*120*40	Galvanized sheet		1PCS	#N/A
13	BBS130	BBS-130L	SKC-0-000-1156-0	前装饰板	front panel	600*56*47	Iron painting		1PCS	BBS130L.13
14	BBS130	BBS-130L	SKC-2-110-0289-0	卡块	thermostat clip block		PLASTIC		4PCS	BBT350L.16
15	BBS130	BBS-130L	SKC-2-110-0288-0	孔盖	thermostat clip		PLASTIC		4PCS	BBT350L.17
16	BBS130	BBS-130L	SKC-2-110-0290-0	温控器盒	THERMOSTATE BOX	140*47*15	PLASTIC		1PCS	BBT350L.18
17	BBS130	BBS-130L	SKC-4-030-0017-0	温控器	THERMOSTATE	DIXELL 02			1PCS	XR02CX
18	BBS130	BBS-130L	SKC-2-110-0287-0	温控器罩	THERMOSTATE COVER	144*49*8	PLASTIC		1PCS	BBT350L.20
19	BBS130	BBS-130L	SKC-2-110-0098-0	门托	door support		PLASTIC		1PCS	BBT350L.21
20	BBS130	BBS-130L	SKC-2-006-0073-0	挡风板	air flow conduct A	200*60*15	Galvanized sheet		1PCS	BBT350L.22
21	BBS130	BBS-130L	SKC-4-040-0177-0	压缩机	COMPRESSOR	扎努西 HXL140A			1PCS	BBS130L.21
22	BBS130	BBS-130L	SKC-2-110-0381-0	接水盒	WATER BOX		PLASTIC		1PCS	BBT350L.25
23	BBS130	BBS-130L	SKC-2-110-0296-0	排水管	drain pipe	Φ22*80	PLASTIC		1PCS	BBT350L.26
24	BBS130	BBS-130L	SKC-2-150-0017-0	玻璃门	GLASS DOOR	802*586*32		RIGHT	1PCS	BBS130L.24
25	BBS130	BBS-130L	SKC-2-110-0063-0	门封条	GASKET		PVC		1PCS	BBS130L.25
26	BBS130	BBS-130L	SKC-2-170-0036-0	门把手	DOOR HANDLE		zinc based alloy		1PCS	BBT350L.29
27	BBS130	BBS-130L	SKC-2-110-0354-0	门轴套	BUSHING	Φ10*23	PLASTIC		1PCS	BBT350L.30
28	BBS130	BBS-130L	SKC-2-170-0211-0	上铰链轴	UP HINGE AXIS	Φ7*20			1PCS	BBT350L.31
29	BBS130	BBS-130L	SKC-2-160-0127-0	调整垫圈	ADJUSTABLE GASKET	Φ14*1.5	PLASTIC		1PCS	BBT350L.32
30	BBS130	BBS-130L	SKC-2-006-0068-0	下铰链/右	DOWN HINGE/RIGHT	46*44*35	Iron painting	RIGHT	1PCS	BBS130L.30
31	BBS130	BBS-130L	SKC-2-110-0284-0	灯罩左拼	lamp cover left	108*40*8.5	PLASTIC		1PCS	BBT350L.35
32	BBS130	BBS-130L	SKC-4-050-0004-0	灯开关	LAMP SWITCH	MR-5			1PCS	BBT350L.36
33	BBS130	BBS-130L	SKC-2-110-0281-0	灯罩	LAMP COVER		PLASTIC		1PCS	#N/A
34	BBS130	BBS-130L	SKC-4-050-0015-0	LED灯条	LAMP STRIP	L=400	PLASTIC		1PCS	BBS130L.34
35	BBS130	BBS-130L	SKC-2-110-0285-0	灯罩右拼	lamp cover right	108*40*8.5	PLASTIC		1PCS	BBT350L.39
36	BBS130	BBS-130L	SKC-2-120-0022-0	搁物架	SHELF	499*325	Chrome plating steel		2PCS	BBS130L.36
37	BBS130	BBS-130L	SKC-2-120-0073-0	挂条	SHELF SUPPORT	L=390	aluminum		4PCS	BBT350L.42
38	BBS130	BBS-130L	SKC-2-110-0625-0	挂钩	shelf clip		PLASTIC		8PCS	BBT350L.43
39	BBS130	BBS-130L	SKC-2-006-0089-0	风壳	EVAPORATOR COVER	535*517*52.5	Embossed aluminum		1PCS	BBS130L.39
40	BBS130	BBS-130L	SKC-2-006-0063-0	长支撑板	long support	386*30*15	aluminum		2PCS	BBT350L.45
41	BBS130	BBS-130L	SKC-2-120-0043-0	内风机网罩	GUARD GRILLS	Φ148	Chrome plating steel		1PCS	BBT350L.46
42	BBS130	BBS-130L	SKC-4-001-0026-0	蒸发风机	EVAPORATOR FAN	4C-230HB			1PCS	BBT350L.47
43	BBS130	BBS-130L	SKC-2-006-0062-0	短支撑板	short support	130*60*15	aluminum		4PCS	BBT350L.49
44	BBS130	BBS-130L	SKC-2-002-0036-0	感温探头夹	PROBE PADDING		STAINLESS		1PCS	BBT350L.50
45	BBS130	BBS-130L	SKC-4-050-0031-0	柜温探头	SENSOR	1.5m			1PCS	BBT350L.51
	BBS130	BBS-130L			SENSOR FIXED CLIP				1PCS	BBT350L.52
46	BBS130	BBS-130L	SKC-2-101-0002-0	吹涨式蒸发器	EVAPORATOR	420*470			1PCS	BBS130L.47
21	BBS130	BBS-130L	SKC-4-040-0177-0	压缩机	COMPRESSOR	扎努西 HXL140A			1PCS	CSB075NJEJ